

T6Q7

Screw Type: ACME

**Mounting: Rod Eye Clevis
Trunnion Brackets**

Lubrication: For Life

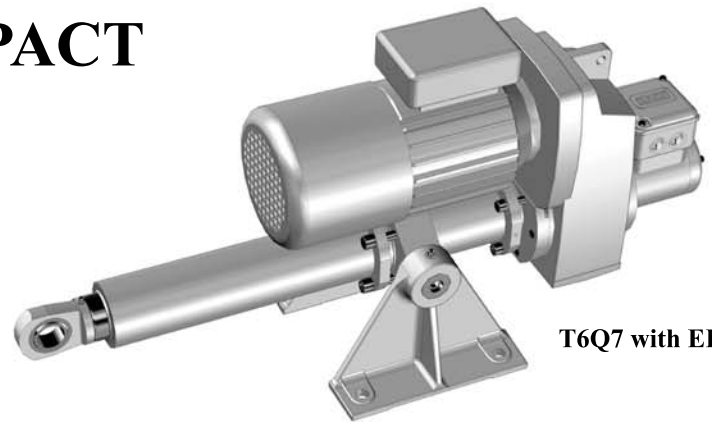
Protection Rating: IP54

Power Transfer: Gearbox

**Motor: 460V AC
60 Hz, 3 Phase
Thermal Switch
Optional Brake**

**Options: Limit Switches
EPS02, EPS06
Vector Drive
Position Control
Thrust Control**

Electric Actuator Size 7 COMPACT



T6Q7 with EPS06

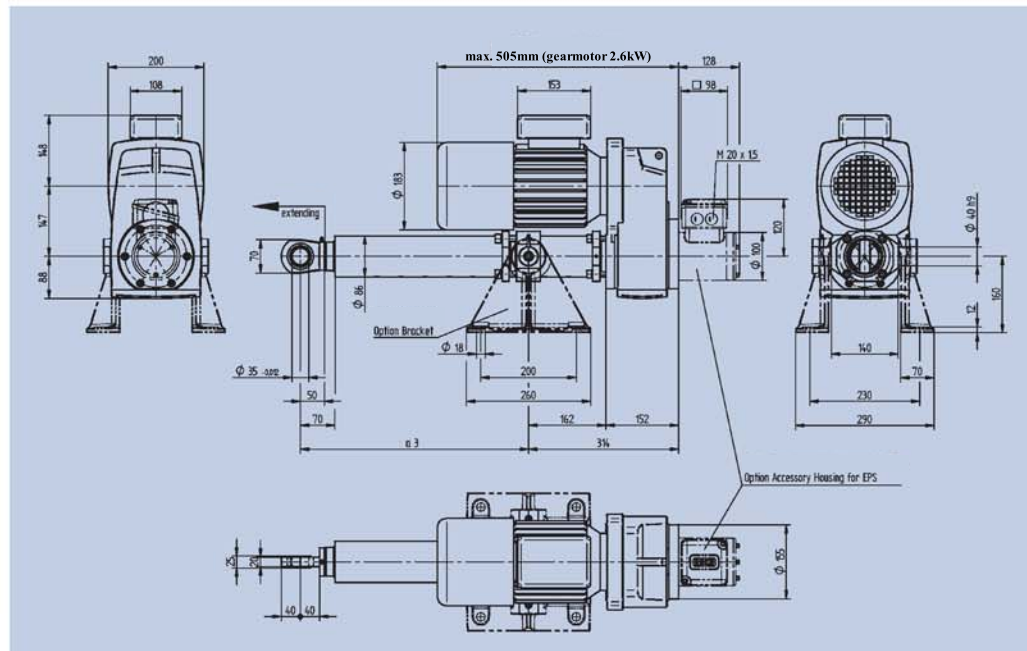
Compact Size 7 Selection Chart

ACME Screw

Actuator Type	Nominal Force	Nominal Actuator Speed	Stroke Range		Run Torque @Nominal Force	Start-up Torque	Nominal Motor Size	Pol P	Motor Current @ Load/460V	Stall Torque
	lbf.	inch/sec.	min. inch	max. inch	lb-ft.	lb-ft.	kW		A	lb-ft.
T6Q7	9000	0.5	7.8	31.4	80.14	100.16	1.300	4	3.08	172.43
T6Q7	4000	0.7	7.8	31.4	36.06	45.07	0.900	4	2.32	73.94
T6Q7	9000	0.9	7.8	31.4	80.14	100.16	2.600	2	5.56	180.92
T6Q7	4500	0.9	7.8	31.4	40.06	50.08	1.300	4	2.72	97.41
T6Q7	6750	1.6	7.8	31.4	60.10	75.12	2.600	2	6.08	123.49
T6Q7	6750	1.9	7.8	31.4	40.06	50.08	2.600	2	4.89	102.29

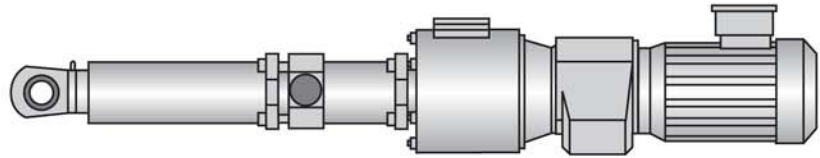
Standard Stroke, Increments in inches

Stroke	7.9"	15.7"	23.6"	31.4"
a3	10.83"	18.70"	26.57"	34.45"



T6M7

Electric Actuator Size 7 COMPACT



Screw Type: ACME

**Mounting: Rod Eye Clevis
Trunnion Brackets**

Lubrication: For Life

Protection Rating: IP54

Power Transfer: Direct Drive

**Motor: 460V AC
60 Hz, 3 Phase
Thermal Switch
Optional Brake**

**Options: Limit Switches
EPS02, EPS06
Vector Drive
Position Control
Thrust Control**

Compact Size 7 Selection Chart

ACME Screw

Actuator Type	Nominal Force	Nominal Actuator Speed	Stroke Range		Run Torque @Nominal Force	Start-up Torque	Nominal Motor Size	Pol	Motor Current @ Load/460V	Stall Torque
	lb.f.	inch/sec.	min. inch	max. inch	lb.-ft.	lb.-ft.	kW		A	lb.-ft.
T6M7	9000	0.5	7.8	31.4	80.14	100.16	1.30	4	2.77	191.46
T6M7	9000	0.9	7.8	31.4	80.14	100.16	2.60	4	5.51	217.93
T6M7	4500	0.9	7.8	31.4	40.06	50.08	1.30	4	2.69	98.58
T6M7	9000	1.6	7.8	31.4	80.14	100.16	3.60	4	9.91	147.76
T6M7	4500	1.9	7.8	31.4	40.06	50.08	2.60	4	5.90	101.62
T6M7	4500	3.3	7.8	31.4	40.06	50.08	3.60	4	9.46	77.41

Standard Stroke, Increments in inches

Stroke	7.9"	15.7"	23.6"	31.4"
a3	10.83"	18.70"	26.57"	34.45"

