

Electric Actuator Size 4 COMPACT

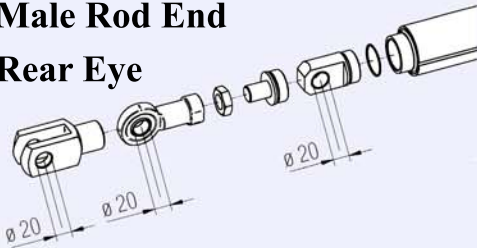
K6A4

Screw Type: BALL Screw

Mounting: Female Clevis
Spherical Rod End

Male Rod End

Rear Eye



Lubrication: For Life

Protection Rating: IP54

Power Transfer: Direct Drive

Motor: 460V AC

60 Hz, 3 Phase

Thermal Switch

Optional Brake

Options: Limit Switch

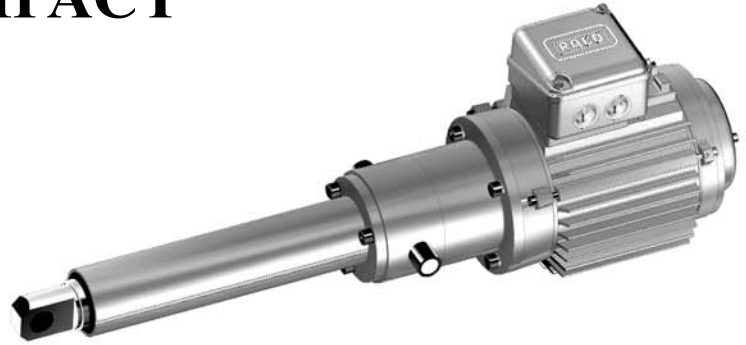
EPS02, EPS06

Proximity Switches

Position Control

Thrust Control

Trunnion Brackets



Compact Size 4 Selection Chart

BALL Screw

Actuator Type	Nominal Force	Nominal Actuator Speed	Stroke Range		Run Torque	Start-up Torque	Nominal Motor Size	Pol	Motor Current	Stall Torque
	lb-f.	inch/sec.	min. inch	max. inch	@Nominal Force lb-ft.	lb-ft.			@ Load/460V A	
K6A4	900	2.8	3.9	23.6	3.45	3.92	0.30	8	1.60	5.68
K6A4	1125	5.7	3.9	23.6	4.31	4.89	0.90	4	2.51	8.56

Standard Stroke, Increments in inches

Stroke	3.9"	7.9"	11.8"	15.7"	19.7"	23.6"
a3	9.45"	13.39"	17.32"	21.26"	25.20"	29.13"

