

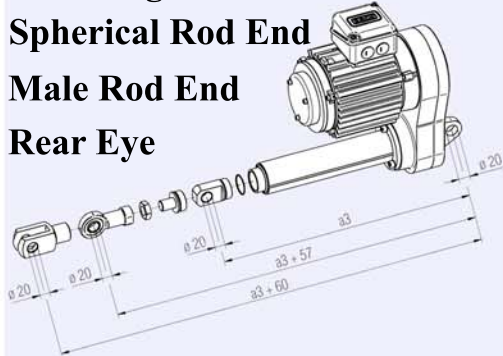
K6C4-105

Screw Type: Ball Screw

**Mounting: Female Clevis
Spherical Rod End**

Male Rod End

Rear Eye



Lubrication: For Life

Protection Rating: IP54

**Power Transfer: HTD
Timing Belt**

Motor: 460V AC

60 Hz, 3 Phase

Thermal Switch

Optional Brake

Options: Limit Switches

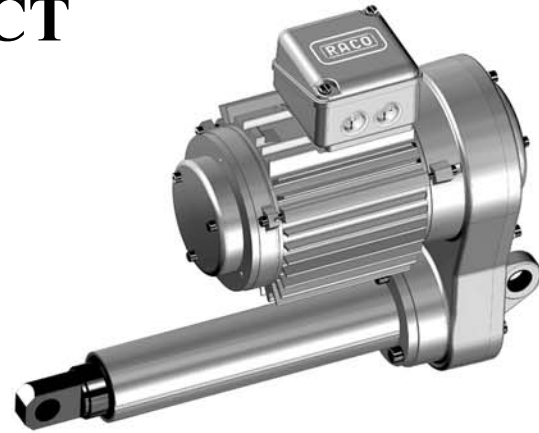
EPS02, EPS06

Vector Drive

Position Control

Thrust Control

Electric Actuator Size 4 COMPACT



Compact Size 4 Selection Chart

BALL Screw

Actuator Type	Nominal Force	Nominal Actuator Speed	Stroke Range		Run Torque	Start-up Torque	Nominal Motor Size	Pol	Motor Current	Stall Torque
	lb-f.	inch/sec.	min. inch	max inch	@Nominal Force lb-ft.	lb-ft.			@ Load/460V A	
K6C4-105	900	1.4	3.9	23.6	3.45	3.92	0.21	8	0.77	6.71
K6C4-105	1125	2.8	3.9	23.6	4.31	4.89	0.44	4	1.31	7.74
K6C4-105	790	3.7	3.9	23.6	3.02	3.42	0.44	4	1.31	5.61

Standard Stroke, Increments in inches

Stoke	3.9"	7.9"	11.8"	15.7"	19.7"	23.6"
a3	11.02"	14.96"	18.90"	22.83"	26.77"	30.71"

