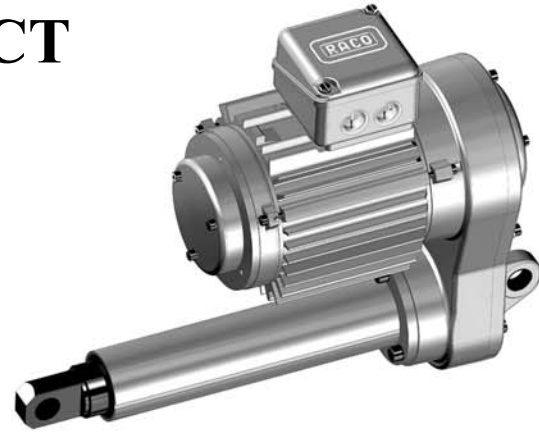




Electric Actuator Size 4 COMPACT

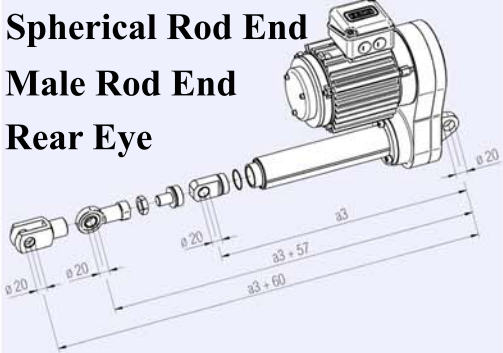


T6C4-105

Screw Type: ACME

**Mounting: Female Clevis
Spherical Rod End**

**Male Rod End
Rear Eye**



Lubrication: For Life

Protection Rating: IP54

**Power Transfer: HTD
Timing Belt**

Motor: 460V AC

60 Hz, 3 Phase

Thermal Switch

Optional Brake

Options: Limit Switches

EPS02, EPS06

Vector Drive

Position Control

Thrust Control

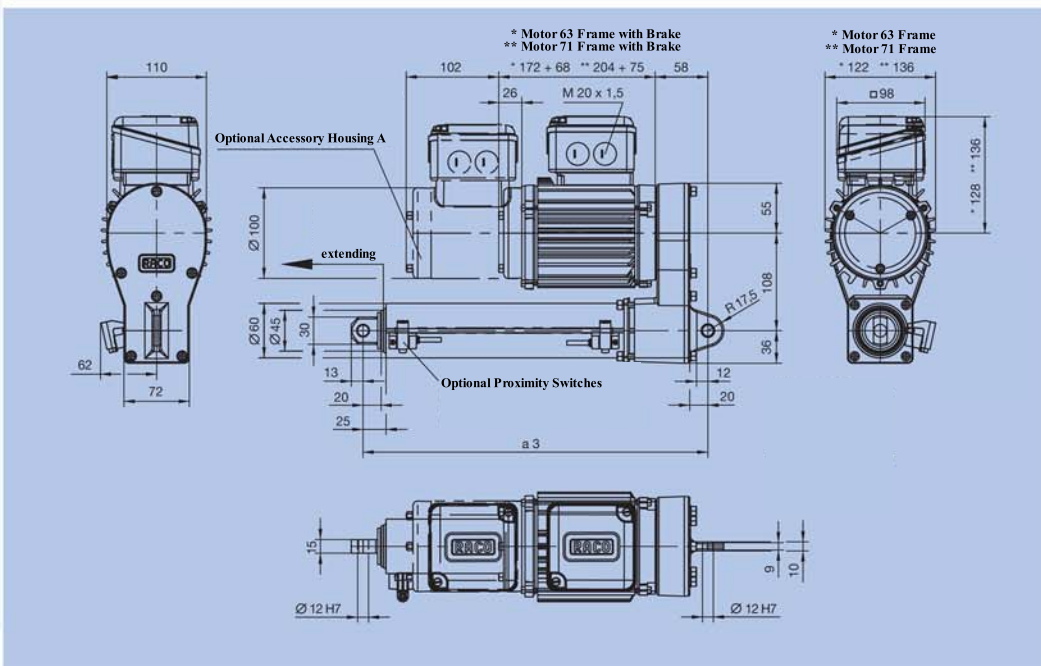
Compact Size 4 Selection Chart

ACME Screw

Actuator Type	Nominal Force	Nominal Actuator Speed	Stroke Range		Run Torque	Start-up Torque	Nominal Motor Size	Pol	Motor Current @ Load/460V	Stall Torque
	lb.f.	inch/sec.	inch	inch	lb-ft.	lb-ft.	kW	P	A	lb-ft.
T6C4-105	1100	1.2	3.9	23.6	6.66	8.32	0.30	8	1.55	10.86
T6C4-105	450	1.2	3.9	23.6	2.66	3.33	0.21	8	0.60	6.69
T6C4-105	675	2.4	3.9	23.6	4.00	4.99	0.44	4	1.21	8.04
T6C4-105	900	3.3	3.9	23.6	5.33	6.65	0.90	4	2.21	11.46
T6C4-105	675	4.7	3.9	23.6	4.00	4.99	0.90	4	2.33	8.19
T6C4-105	340	4.7	3.9	23.6	2.00	2.49	0.44	4	1.20	4.04

Standard Stroke, Increments in inches

Stroke	3.9"	7.9"	11.8"	15.7"	19.7"	23.6"
a3	13.39"	17.32"	21.26"	25.20"	29.13"	33.07"



RACO International, L.P.

3350 Industrial Blvd., Bethel Park PA 15102, Tel: 412-835-5744, Fax: 412-835-0338, web: www.racointernational.com