

Electric Actuator Size 4 COMPACT

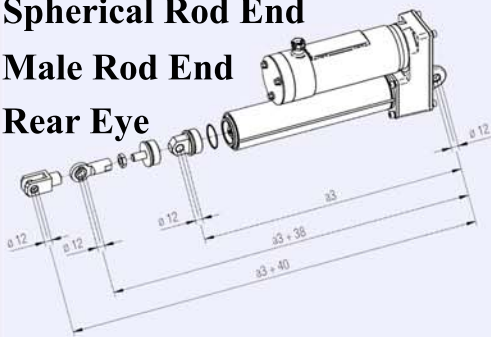
T6C4

Screw Type: ACME

**Mounting: Female Clevis
Spherical Rod End**

Male Rod End

Rear Eye



Lubrication: For Life

Protection Rating: IP54

**Power Transfer: HTD
Timing Belt**

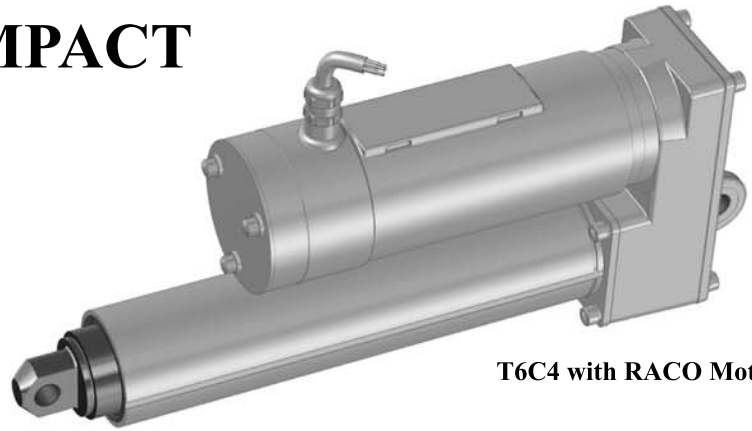
Motor: 460V AC

60 Hz, 3 Phase

Thermal Switch

Optional Brake

**Options: Limit Switch EPS02/6
Proximity Switches
Position Control
Thrust Control
Swivel Foot Bracket**



T6C4 with RACO Motor

Compact Size 4 Selection Chart ACME Screw

Actuator Type	Nominal Force	Nominal Actuator Speed	Stroke Range		Run Torque	Start-up Torque	Nominal Motor Size	Pol	Motor Current @ Load/460V	Stall Torque
	lbf.	inch/sec.	min. inch	max. inch	lb-ft.	lb-ft.	kW	P	A	lb-ft.
T6C4	225	1.9	3.9	23.6	1.33	1.67	0.125	4	0.53	2.31
T6C4	110	1.9	3.9	23.6	0.66	0.83	0.050	4	0.27	0.92
T6C4	330	3.7	3.9	23.6	2.00	2.49	0.350	2	1.60	3.23
T6C4	225	3.7	3.9	23.6	1.33	1.67	0.250	2	1.07	2.31
T6C4	110	3.7	3.9	23.6	0.66	0.83	0.125	4	0.53	1.15

Standard Stroke, Increments in inches

Stroke	3.9"	7.9"	11.8"	15.7"	19.7"	23.6"
a3	11.02"	14.96"	18.90"	22.83"	26.77"	30.71"

