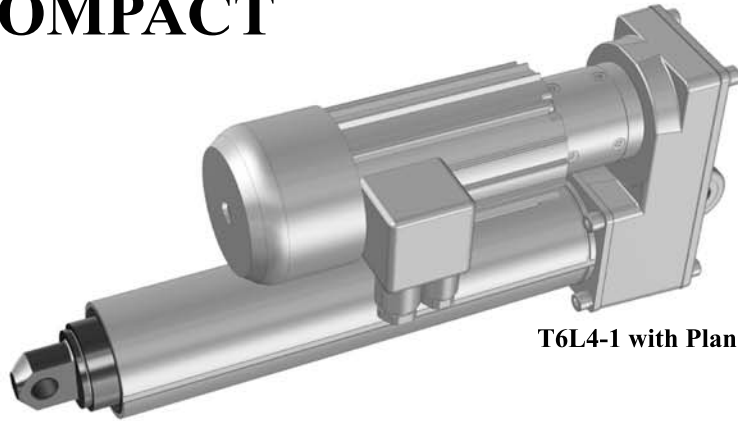


Electric Actuator Size 4 COMPACT

T6L4-1



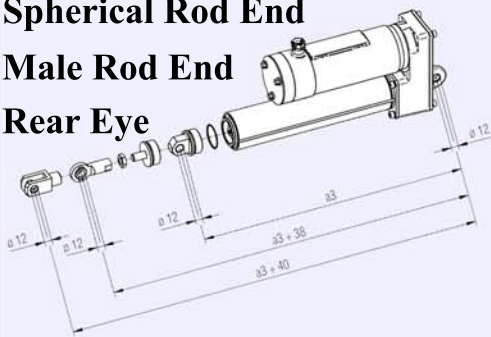
T6L4-1 with Planetary Gearbox

Screw Type: ACME

**Mounting: Female Clevis
Spherical Rod End**

Male Rod End

Rear Eye



Lubrication: For Life

Protection Rating: IP54

**Power Transfer: HTD
Timing Belt**

Motor: 460V AC

60 Hz, 3 Phase

Thermal Switch

Optional Brake

**Options: Limit Switch
Proximity Switches
Position Control
Thrust Control
Swivel Foot Bracket**



Compact Size 4 Selection Chart

ACME Screw

Actuator Type	Nominal Force	Nominal Actuator Speed	Stroke Range		Run Torque	Start-up Torque	Nominal Motor Size	Pol	Motor Current	Stall Torque
	lb.f.	inch/sec.	min. inch	max. inch	@Nominal Force	lb.-ft.	kW		@ Load/460V	lb.-ft.
T6L4-1	450	0.5	3.9	23.6	2.66	3.33	0.079	2	0.25	4.85
T6L4-1	450	0.9	3.9	23.6	2.66	3.33	0.104	2	0.46	3.19
T6L4-1	225	0.9	3.9	23.6	1.33	1.67	0.079	2	0.25	2.43
T6L4-1	225	1.4	3.9	23.6	1.33	1.67	0.104	2	0.30	2.49
T6L4-1	170	1.9	3.9	23.6	1.00	1.25	0.104	2	0.31	1.80

Standard Stroke, Increments in inches

Stoke	3.9"	7.9"	11.8"	15.7"	19.7"	23.6"
a3	11.02"	14.96"	18.90"	22.83"	26.77"	30.71"

