



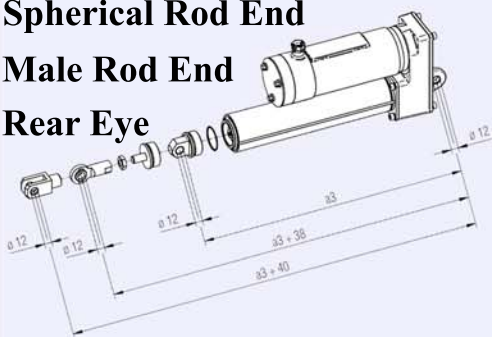
T6L4-2

Screw Type: ACME

Mounting: Female Clevis Spherical Rod End

Male Rod End

Rear Eye



Lubrication: For Life

Protection Rating: IP54

Power Transfer: HTD Timing Belt

Motor: 460V AC

60 Hz, 3 Phase

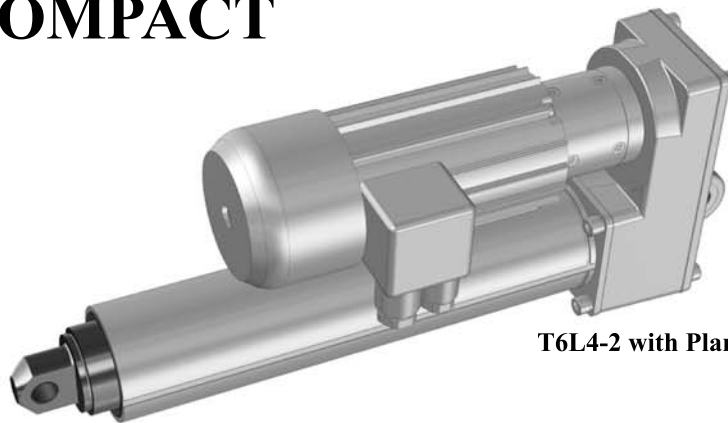
Thermal Switch

Optional Brake

Options: Limit Switch
Proximity Switches
Position Control
Thrust Control
Swivel Foot Bracket



Electric Actuator Size 4 COMPACT



T6L4-2 with Planetary Gearbox

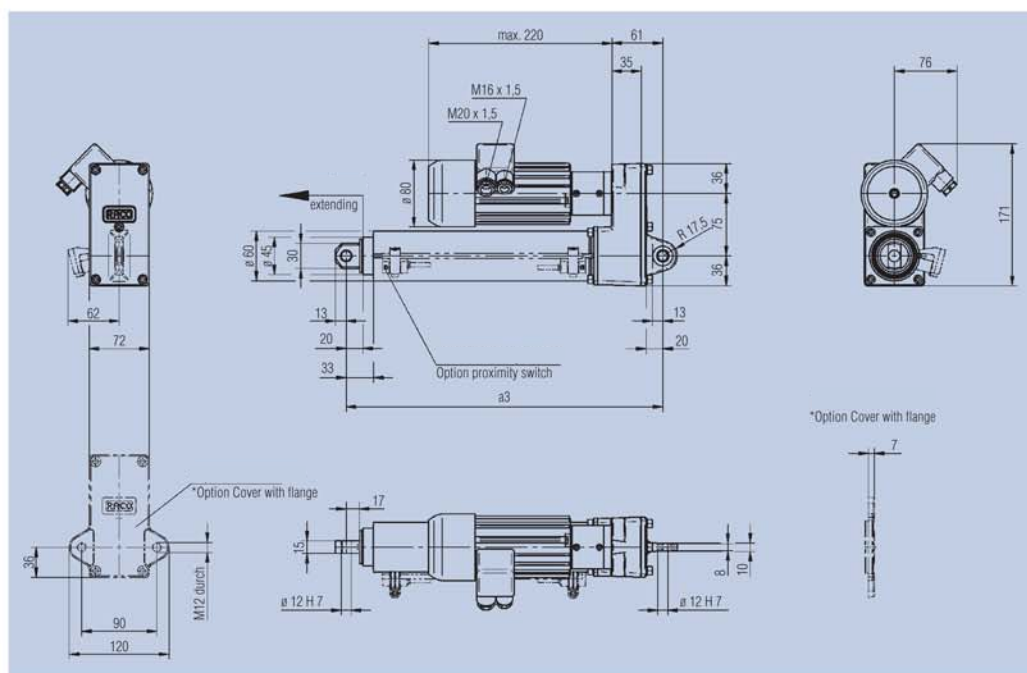
Compact Size 4 Selection Chart

ACME Screw

Actuator Type	Nominal Force	Nominal Actuator Speed	Stroke Range		Run Torque	Start-up Torque	Nominal Motor Size	Pol	Motor Current	Stall Torque
	lb.f.	inch/sec.	min. inch	max. inch	@Nominal Force lb.-ft.	lb.-ft.			@ Load/460V A	lb.-ft.
T6L4-2	1680	0.1	3.9	23.6	9.99	12.48	0.037	4	0.16	12.08
T6L4-2	1680	0.2	3.9	23.6	9.99	12.48	0.104	2	0.39	14.37
T6L4-2	900	0.2	3.9	23.6	5.33	6.65	0.079	2	0.23	10.92
T6L4-2	900	0.4	3.9	23.6	5.33	6.65	0.104	2	0.37	8.08

Standard Stroke, Increments in inches

Stroke	3.9"	7.9"	11.8"	15.7"	19.7"	23.6"
a3	11.02"	14.96"	18.90"	22.83"	26.77"	30.71"



RACO International, L.P.

3350 Industrial Blvd., Bethel Park PA 15102, Tel: 412-835-5744, Fax: 412-835-0338, web: www.racointernational.com