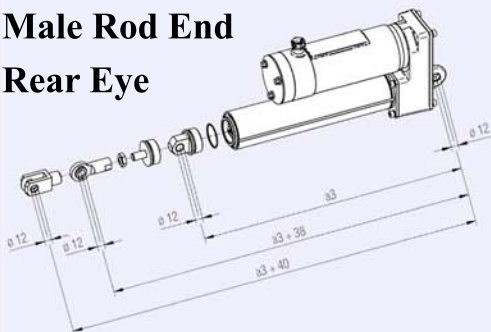


T6L4-DC

Screw Type: ACME

**Mounting: Female Clevis
Spherical Rod End**

**Male Rod End
Rear Eye**



Lubrication: For Life

Protection Rating: IP40 or 65

**Power Transfer: HTD
Timing Belt**

**Motor: 24V DC
Thermal Switch**

**Options: Limit Switch
Proximity Switches
Swivel Foot Bracket**



Electric Actuator Size 4 COMPACT



T6L4-DC with IP65 Enclosure

Compact Size 4 Selection Chart

ACME Screw

Actuator Type	Nominal Force	Nominal Actuator Speed	Stroke Range		Run Torque	Start-up Torque	Nominal Motor Size	Pol	Motor Current	Stall Torque
	lbf.	inch/sec.	min. inch	max. inch	@Nominal Force	lb-ft.	kW		@ Load/24VDC	lb-ft.
T6L4-DC	1100	0.2	3.9	23.6	6.66	8.32	0.10		5.45	40.21
T6L4-DC	900	0.6	3.9	23.6	5.33	6.65	0.10		8.17	21.45
T6L4-DC	675	0.7	3.9	23.6	4.00	4.99	0.10		7.54	17.43

Standard Stroke, Increments in inches

Stoke	3.9"	7.9"	11.8"	15.7"	19.7"	23.6"
a3	11.02"	14.96"	18.90"	22.83"	26.77"	30.71"

