

Electric Actuator Size 4 COMPACT

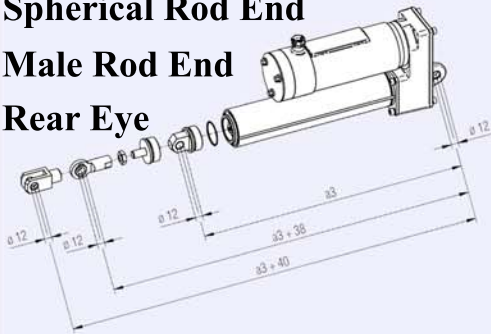
T6N4

Screw Type: ACME

Mounting: Female Clevis
Spherical Rod End

Male Rod End

Rear Eye



Lubrication: For Life

Protection Rating: IP54

Power Transfer: HTD
Timing Belt

Motor: 460V AC

60 Hz, 3 Phase

Thermal Switch

Optional Brake

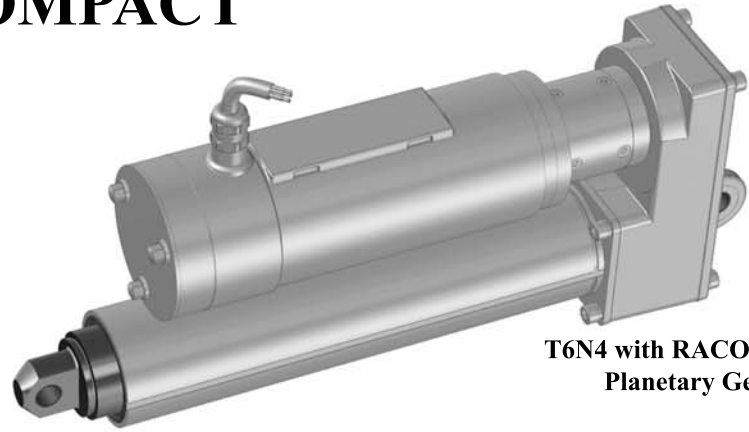
Options: Limit Switch EPS02/6

Proximity Switches

Position Control

Thrust Control

Swivel Foot Bracket



T6N4 with RACO Motor and Planetary Gearbox

Compact Size 4 Selection Chart

ACME Screw

Actuator Type	Nominal Force	Nominal Actuator Speed	Stroke Range		Run Torque	Start-up Torque	Nominal Motor Size	Pol	Motor Current	Stall Torque
	lb-f.	inch/sec.	min. inch	max. inch	@Nominal Force lb-ft.	lb-ft.			@ Load/460V A	
T6N4	900	0.4	3.9	23.6	5.33	6.65	0.125	4	0.48	9.29
T6N4	450	0.9	3.9	23.6	2.66	3.33	0.125	4	0.48	4.65

Standard Stroke, Increments in inches

Stroke	3.9"	7.9"	11.8"	15.7"	19.7"	23.6"
a3	11.02"	14.96"	18.90"	22.83"	26.77"	30.71"

